

DIAMANTE LIGHTING



Kandinsky

Kandinsky

Thin projector *for perfect light*

Powerful, elegant spot for decoration, functional light, detail enhancement, highlight, available in various optics configurations to suit any lighting task.

Elegant and discreet, the aluminum body acts as heatsink and enclosure, to ensure with the role of performance and best thermal management. This allows LED lifetime to be fully exploited, for a bright performance that lasts over years.

Device can be instant on, non-dimmable or with DMX-512A control. Both power supply and control electronics are onboard (except for Elle20), to ensure a clean cabling and a simple installation.

Adjustable bracket can fit various installation surfaces, while tilt angle can be adjusted continuously, without stepping. Rubber gasket, UV-stable PolyCarbonate ensure resistance over weather and direct sun exposure.

Various accessories can be mounted on device like barndoors, DALI dimming, pass-thru power and / or DMX connection, pole-top mounting bracket; customizations of product can add functionalities or capabilities to suit a very wide range of needs.

Technical Specification

Source

Compact Version: 24 High Power High Performance LED per module

Power and flux

Size 40: 34W at source, 40W total

Size 72: 62W at source, 72W total

Size 108: 92W at source, 108W total

Operating Life

60'000 Hrs minimum

Light Color

30, 45, 60 version: White

30A version: Amber dichroic filter

1234 version: RGB+W

Working Position

Wall mount, surface mount

Optics

High precision PC optics

Fixation

Wall / surface mount bracket; dia. 8mm hole on bracket

IP Rating

IP67, with pressure compensation valve.

Operating Temperature

-35°C to +55°C

Control

Monochromatic version: Instant on, DMX-512A control, RDM addressing and configuration, 1ch footprint

RW version: DMX-512A control, RDM addressing, 4ch footprint

DMX optical insulation for better noise immunity

Power supply

Electronic, integrated, SELV, class I, active PFC

Supply voltage

180VAC to 250VAC, 0,4A max

Inrush Current

40A max, <25ms

Connection

Free end cable

Construction

Anodized aluminium extruded body and structure, UV-stable polycarbonate cover, rubber gaskets, IP68 gland connectors, stainless steel accessories

Weigth

Size 40: 3Kg

Size 72: 6Kg

Size 108: 8Kg

Specifiche Tecniche

Sorgente

24 LED di alta potenza, ad elevata efficienza, per modulo

Potenza e Flusso

Taglia 40: 34W alla sorgente, 40W totali

Taglia 72: 62W alla sorgente, 72W totali

Taglia 108: 92W alla sorgente, 108W totali

Vita utile sorgente

60'000 ore min

Colore della luce

Versioni 30, 45, 60: Bianco

Versione 30A: Filtro dichroico ambra

Versione 1234: RGB+W

Installazione

A muro, su superficie

Ottiche

Ottiche di precisione in PC

Fissaggio

Staffa per montaggio a muro, foro dia.8mm

Grado di protezione IP

IP67, con valvola di compensazione di pressione

Temperatura operativa

-35°C to +55°C

Controllo

Versioni monocromatiche: Accensione istantanea configurabile, controllo DMX-512A, indirizzamento e configurazione RDM, impronta 4 canali

Versione RW: Controllo DMX-512A, indirizzamento e configurazione RDM, impronta 4 canali

Alimentatore

Elettronico, integrato, SELV, classe I, PFC attivo

Tensione operativa

180VAC a 250VAC, 0,4A max

Corrente di spunto

40A max, <25ms

Connessione

Cavo preinstallato con estremità libera

Caratteristiche costruttive

Corpo in alluminio estruso anodizzato, copertura in policarbonato stabile agli UV, guarnizioni in gomma, pressacavi IP68, accessori e viteria in acciaio inox

Peso

Taglia 40: 3Kg

Taglia 72: 6Kg

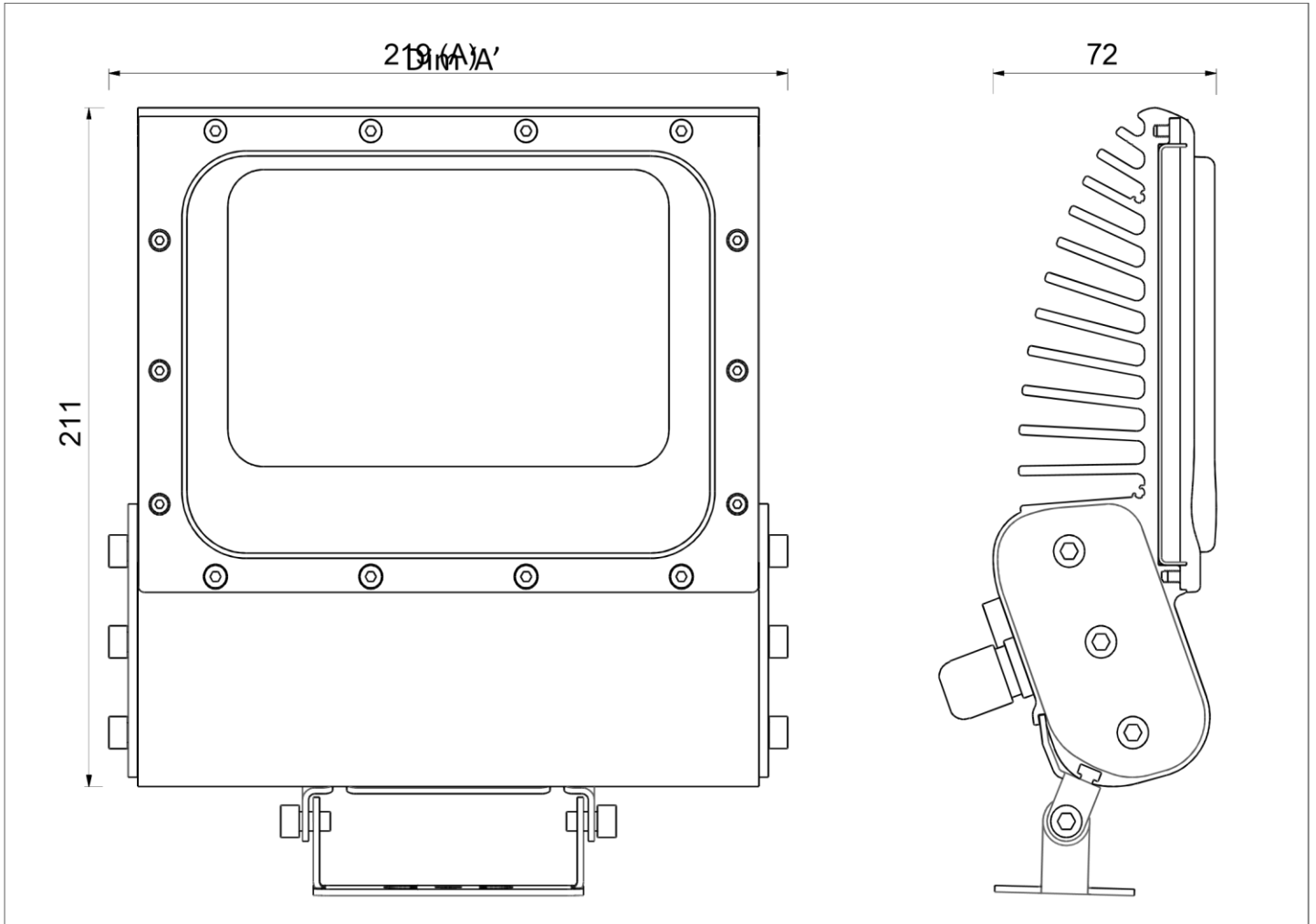
Taglia 108: 8Kg

Product Code *Codice Prodotto*

Product Prodotto	Optic Ottica	Variant Variante	Color Colore	Size Taglia
KAY	10	D	30	40
KAY = Kandinsky	10 = 10° Narrow 30 = 30° Medium 1030 = 10° x 30° Elliptical 90 = 90° Flood reflector	D = Dimmable, DMX512A control	30 = 3'000°K White 45 = 4'500°K White 60 = 6'000°K White 30A = Amber dichroic filter 1234 = RGB+W	40 = 40W, 1 module 72 = 72W, 2 modules 108 = 108W, 3 modules

JAMANTELIGHTING

Season Dimensions *Dimensioni* (mm)



SEA.R2.1401.RV

Size	Dim 'A'	Weight
40	212 mm	2,8Kg
72	412 mm	5,0Kg
108	612 mm	7,0Kg

Authorized Agent / Distributor / Reseller

Agente / Distributore / Rivenditore autorizzato



Diamante Lighting S.r.l.

Architectural indoor, outdoor, underwater lighting

Via Einaudi, 8 - 15121 Alessandria, Italy - Tel. +39 0131 240623 Fax +39 0131 349427

info@diamantelighting.com - www.diamantelighting.com

©2013 Diamante Lighting srl - All Rights Reserved

Data subject to change without notice